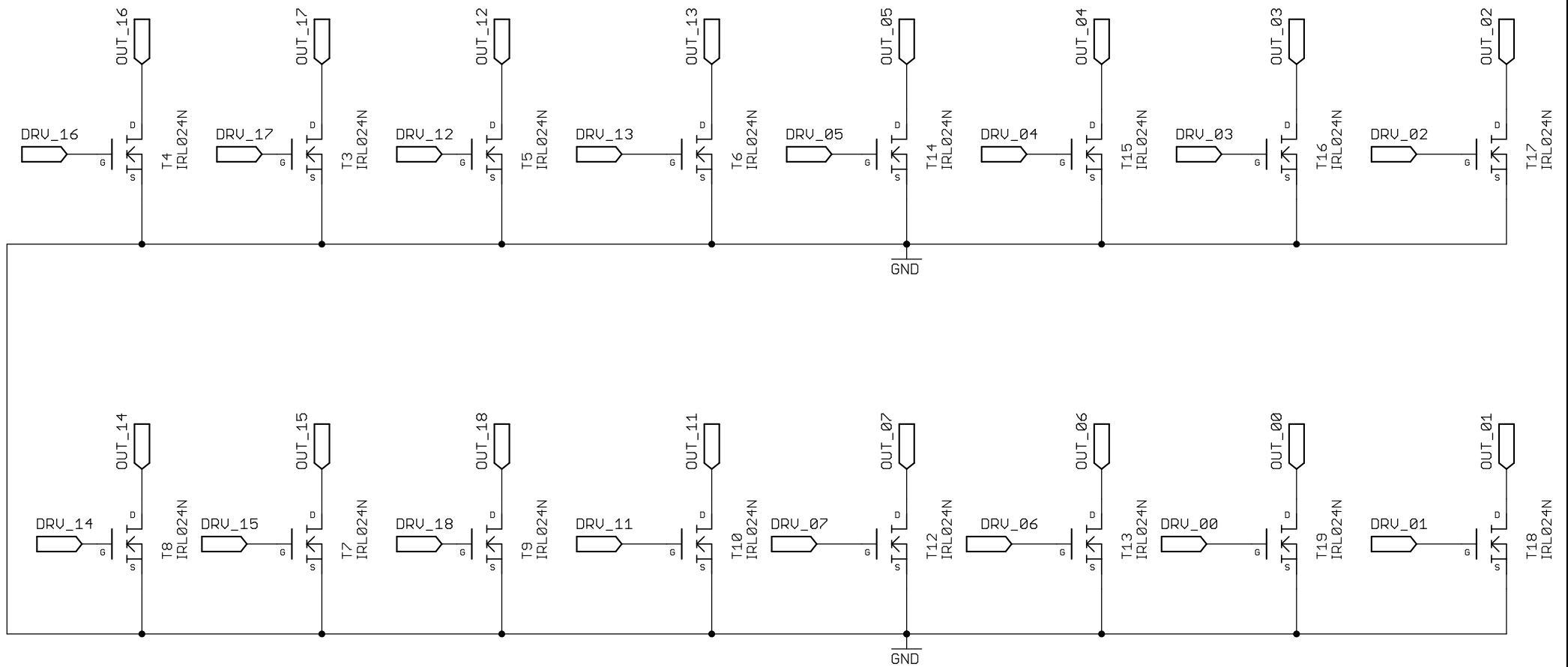


# Vogel Laboratorium

**Schematic:** Weichschalter\_Expander\_I2C 1/3

**Sign:** AV **Date:** 01.05.2012 13:22:31

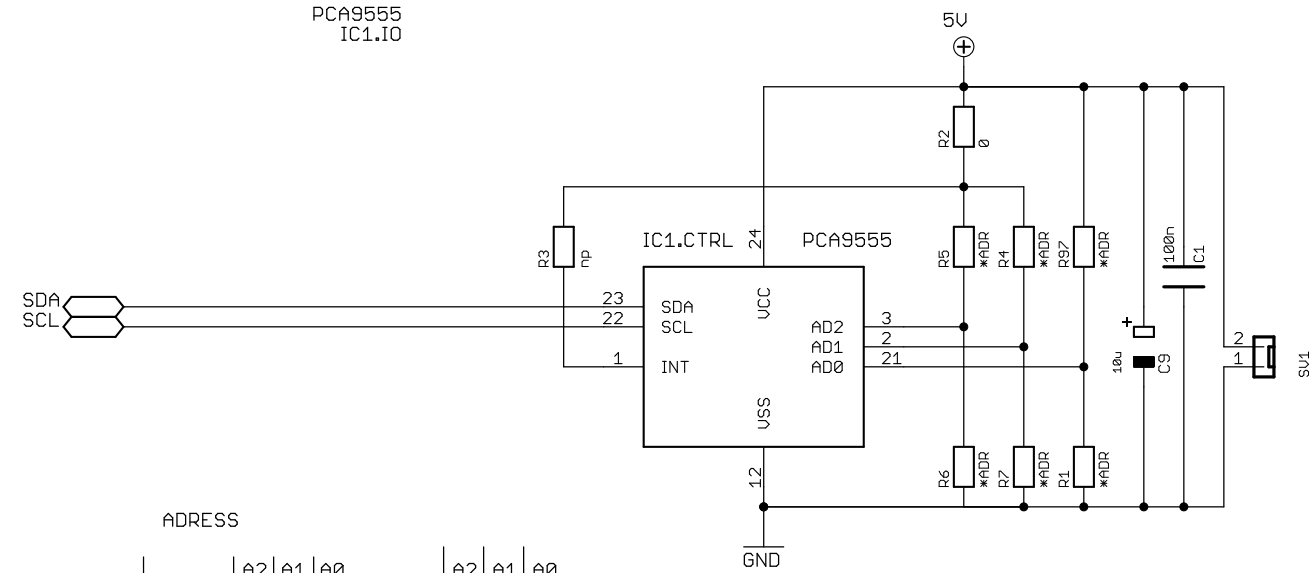
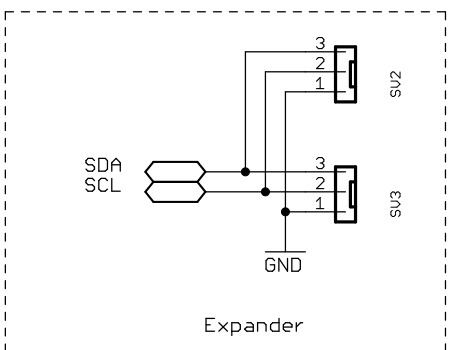
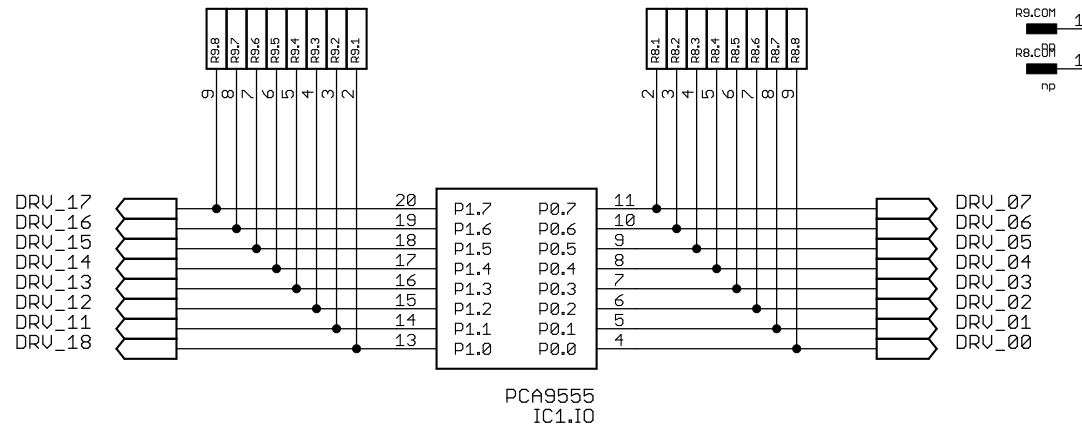


# Vogel Laboratorium

**Schematic:** Weichschalter\_Expander\_I2C 2/3

**Sign:** AV **Date:** 01.05.2012 13:22:31

Pullups only for devices with PullDown only

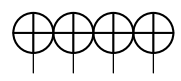


ADDRESS

	A2	A1	A0
0x20	0	0	0
0x21	0	0	1
0x22	0	1	0
0x23	0	1	1
0x24	1	0	0
0x25	1	0	1
0x26	1	1	0
0x27	1	1	1

	A2	A1	A0
1	R5	R4	R97
0	R6	R7	R1



**Vogel Laboratory**

Schematic: Weichschalter\_Expander\_I2C 3/3

Sign: AV Date: 01.05.2012 13:22:31